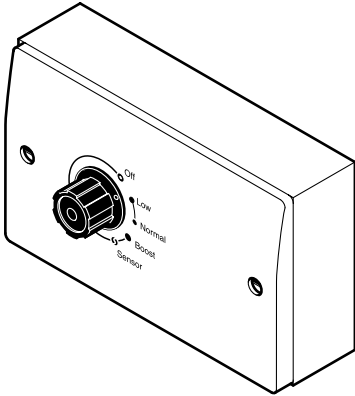


Three Speed Controller / Sensor Interface



DESCRIPTION

The VCON6 is designed for use with all HR300 series units and in line mixed flow fans type BM100, BM125 and BM150. The VCON6 provides ON/OFF switching and control over three speeds. The controller also provides connection terminals for the optional use of external sensors/timers to provide automatic ON/OFF control at any speed, or switching between any two speeds as required. The 'sensor' position on the VCON6 brings this system into operation, speed control is dependent on the wiring option selected (see over).

INSTALLATION

The VCON6 is built on a standard single gang plate and is designed for both surface and flush mounting, using a standard 25mm plastic or metal back box. If a metal back box is used, it must be earthed.

NOTE: The wiring should be suitably (BASEC or HAR) approved cable of appropriate current carrying capacity.

MULTIPLE UNIT CONTROL

The VCON6 can be used to control up to three separate HR300 series units or up to six mixed flow fans, type BM100, BM125, and BM150. All multiple unit connections must be wired in parallel.

Multiple wires must not be taken to the controller. A junction box must be added with a single connection taken from the junction box to the controller. When securing the controller to its back box, care must be taken to ensure that the P.C.B. and its wires do not get damaged.

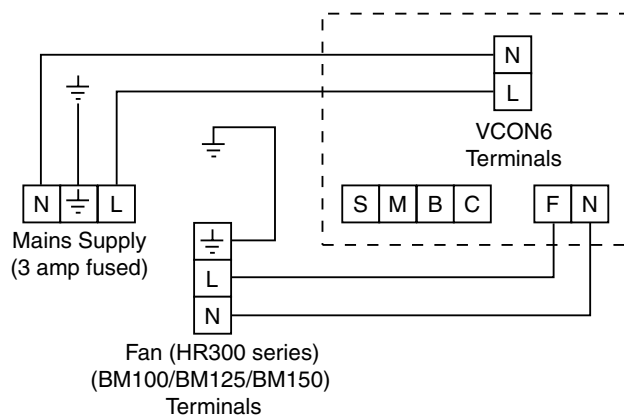
AIR VOLUMES (M³/HR)

All the remote units as HR300, subject to effect of ducting layout and resultant system resistance (pressure drop).

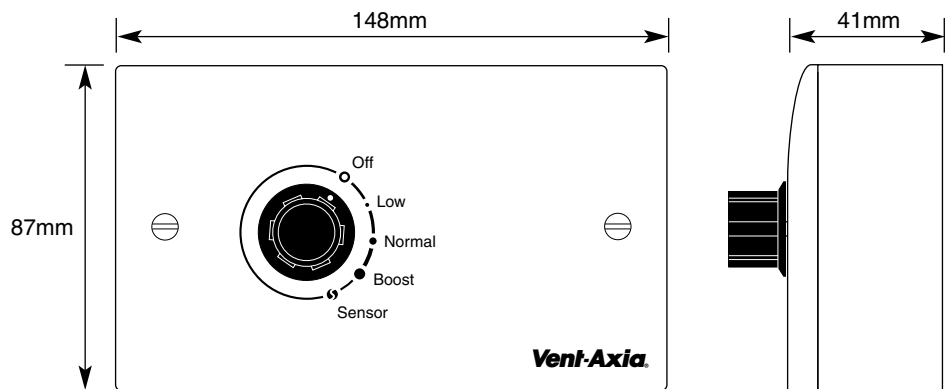
HR300	Boost	Extract	Supply
		300	270
	Normal	210	190
	Low	75	70

HR200V
HR300RW6

MANUAL CONTROL WIRING



DIMENSIONS

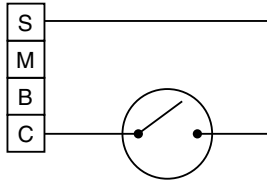


AUTOMATIC CONTROL OPTIONS

These wiring options are activated when controller is turned to 'sensor' position.

ON/OFF AT LOW SPEED

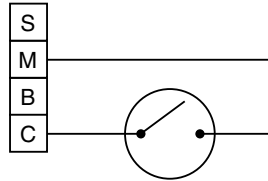
VCON6 Terminal Block



Sensor/External Switch

ON/OFF AT NORMAL SPEED

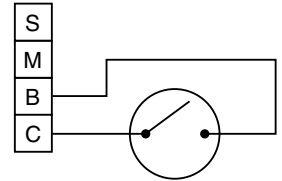
VCON6 Terminal Block



Sensor/External Switch

ON/OFF AT BOOST SPEED

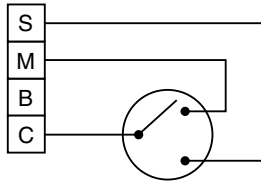
VCON6 Terminal Block



Sensor/External Switch

LOW TO NORMAL SPEED SWITCHING

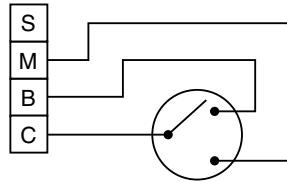
VCON6 Terminal Block



Change Over Switch/Sensor

NORMAL TO BOOST SPEED SWITCHING

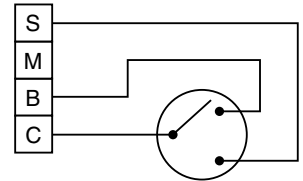
VCON6 Terminal Block



Change Over Switch/Sensor

LOW TO BOOST SPEED SWITCHING

VCON6 Terminal Block



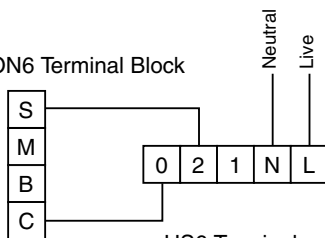
Change Over Switch/Sensor

AUTOMATIC CONTROL USING HUMIDITY SENSOR (REF: HS6)

These wiring options are activated when controller is turned to 'sensor' position. Fan units will turn ON or change speed on rise in humidity to above the preset level. Units will revert to lower speed or turn off when humidity level falls below the preset level.

OFF/LOW SPEED

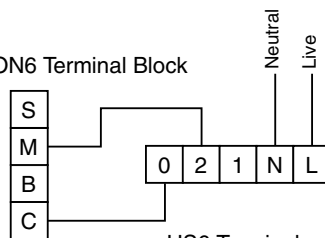
VCON6 Terminal Block



HS6 Terminals

ON/OFF AT NORMAL SPEED

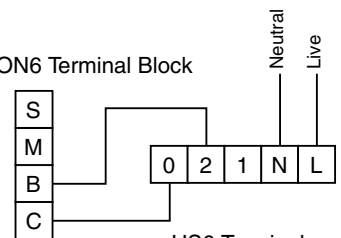
VCON6 Terminal Block



HS6 Terminals

ON/OFF AT BOOST SPEED

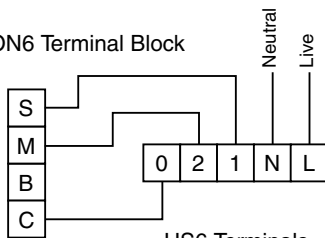
VCON6 Terminal Block



HS6 Terminals

LOW TO NORMAL SPEED SWITCHING

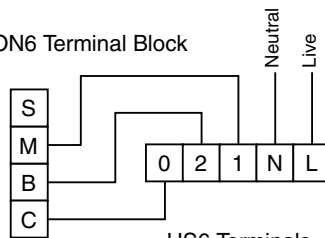
VCON6 Terminal Block



HS6 Terminals

NORMAL TO BOOST SPEED SWITCHING

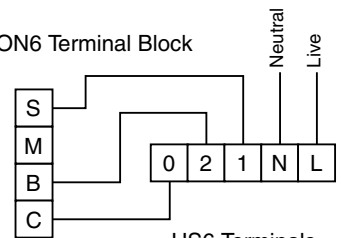
VCON6 Terminal Block



HS6 Terminals

LOW TO BOOST SPEED SWITCHING

VCON6 Terminal Block



HS6 Terminals