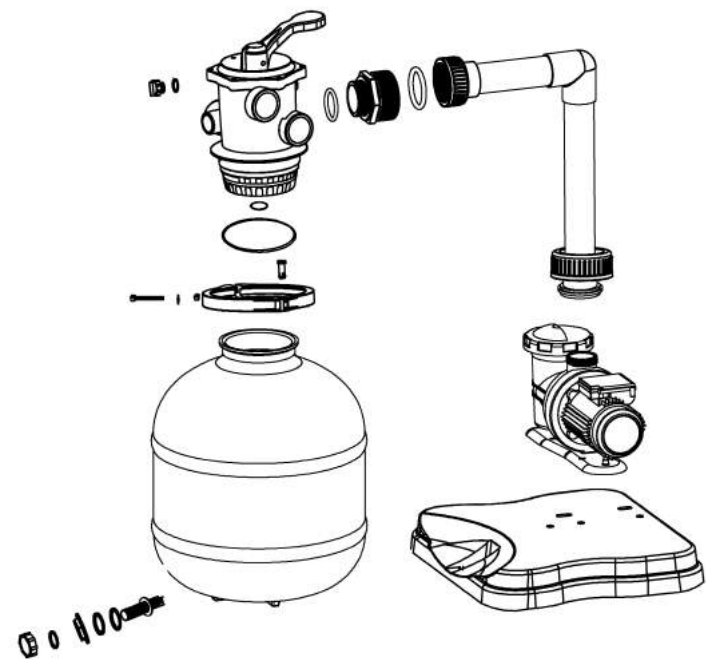


# iFlo Series POOL FILTER SYSTEM



OWNER'S INSTRUCTION MANUAL



### 3. First Use and Operation

- 1) Set the lever to the BACKWASH position. Switch the pump on and backwash for a few minutes until water is clean, to eliminate any sand that could have settled during installation. Once complete, switch the pump off.
- 2) Now set the lever to RINSE, switch the pump on and rinse for a minute. Switch the pump off.
- 3) Set the lever to FILTRATION and switch the pump on. The filter is now operating normally and carrying out its function at an optimum level. Note here, the pressure on the pressure gauge.

We recommend you use the filter regularly and this depends on the use of the pool. A backwash cycle should be undertaken regularly depending on the pressure indicated by the gauge.

The pump basket needs to be removed and cleaned daily and must not be operated without. Please ensure the pump is off before basket removal.

### 4. Winterizing

At the end of the summer season, disconnect the tubes and remove water from the filter and pump by the opening of the drain plugs.

Water must be emptied and the pump must be stored in a warm, dry place, where it cannot be damaged by the cold weather conditions. It is best protected if left without a plastic covering, as condensation could cause damage.

The sand may be left and reused during the next season. Recommendations are to replace every 5 years.

Your Pool Filter System has been engineered and manufactured to our highest standard for dependability, ease of operation and safety. With the appropriate care, it will return years of durable, trouble-free performance.

The filtration kit may only be used for the filtering of swimming pool water, garden water or similar applications. Upon delivery, check the kit for any evidence of damage due to rough handling in shipment. If filtration kit is damaged notify the carrier immediately.

Thank you for your purchase.

---

**PRIOR TO ASSEMBLING AND USING THIS PRODUCT,  
PLEASE CAREFULLY READ AND ADHERE TO ALL  
IMPORTANT NOTICES LOCATED THROUGHOUT THIS  
MANUAL. FAILURE TO COMPLY WITH THESE  
INSTRUCTIONS MAY CAUSE DAMAGE TO THE PRODUCT  
OR CAUSE PERSONAL INJURY.**

---

### Safety Warnings

- Electrical wiring MUST be installed by a trained professional and adhere to current regulations.
- Avoid electric shock. DO NOT USE power extension leads.
- Ensure all air is out of the system before operating. Trapped air in the pump/filter system may cause the tank cover to be blown off which may result in personal injury and damage to the pump/filter system.
- NEVER use the valve lever as a handle to carry or lift the filter.
- NEVER change the position of the Multi-Port Valve while the system is operating. ALWAYS switch off the pump first.
- Do not use any petroleum based lubricants, as these will deteriorate plastic parts.
- KEEP CHILDREN AWAY from all electrical equipment.

# 1. General

The filter with pump are employed in filtering above ground and in-ground pools, where careful and expert water cleaning is required.

The filter and pump should be positioned at least 3.5m from the edge of the pool. The water temperature must not exceed 35°C and must not fall below 4°C. Disconnect the plug before attempting to start any maintenance.

# 2. Installation

The system includes the following parts;

- Pump
- Multiport Valve
- Gaskets
- Valve and Filter Clamp Band
- Filter Tank
- Centre Tube with Hub
- Sand Laterals
- Drain Plug
- Sand Guide
- Supporting Base

- 1) Identify the position in which it is to be installed. The system needs to be in a sheltered plant room ensuring ventilation and adequate access for servicing.
- 2) The pump should be placed on a flat, solid foundation, high enough to prevent flooding of the motor.
- 3) Place the filter in its permanent location making sure you can reach the multiport valve and drain plug with ease (*Figure 2.1*).
- 4) Check the lower distribution hub and laterals for any damage. Attach one lateral to the hub, place in to the filter and then attach the remaining laterals (*Figure 2.2*). Align the hub correctly and place the sand guide over the centre pipe (*Figure 2.3*).
- 5) Fill the filter with 1/3rd of water and then fill with the correct amount of filter media.
- 6) Place silicone on the multiport valve o-ring, assembling the valve on to the filter and tighten with the clamp ring (*Figure 2.4*).
- 7) Attach the appropriate size ABS pipework to the filter, keeping elbows to a minimum. This will improve fluid flow through the pipework reducing losses.

- 8) Use a short, direct and continuous-sloped suction line to avoid long priming times. It is essential the line is free of air leaks and always has the same diameter pipe throughout the line as the diameter of inlet at the pump.
- 9) Fill the pump basket with water up to the level of the suction line. Make sure the lid o-ring is lubricated with silicone each time the lid is removed throughout its use.



Figure 2.1

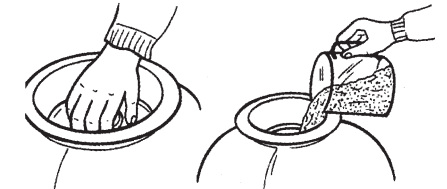


Figure 2.3

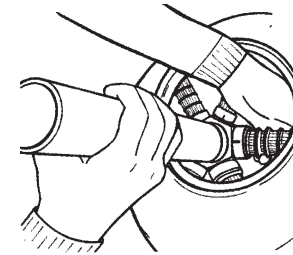


Figure 2.2

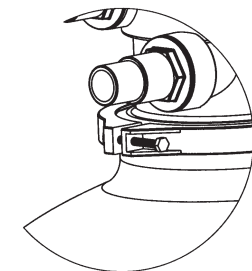


Figure 2.4

## Pump and Wall Skimmer Connections

The pump must be positioned on its special seat on the supporting base and fixed using the bolts and wing-nuts included.

- 1) Connect the OUT of the pump (See the marking on the pump), with the PUMP union of the valve.
- 2) Connect the skimmer union with the IN suction of the pump. (See the marking on the pump)
- 3) Connect the union of the mouth for water entry into the pool with the RETURN union of the valve.
- 4) Connect the adequate tube with the WASTE mouth when the backwash function is desired so that dirty water can be drained to a chosen site.
- 5) Fill up the pool, making sure the water level covers about halfway over the suction mouth of the wall skimmer.